

HIGH RATE SERIES



UPS12-100

**VALVE REGULATED
LEAD ACID BATTERY
FOR UPS STANDBY
POWER APPLICATIONS
12V 26 AH @ 20 HR RATE,
12V 91 WATTS/CELL
@ 15 MIN. RATE**

FEATURES

- Flame-arresting one-way pressure-relief vent for safety and long life.
- Thermally welded case-to-cover bond to eliminate leakage.
- Absorbent Glass Mat (AGM) technology for efficient gas recombination of up to 99% and freedom from electrolyte maintenance.
- Computer-generated grid design optimized for high power density.
- UL-recognized component.
- Multicell design for economy of installation and maintenance.
- Can be mounted in any orientation.
- Not restricted for air transport – Complies with IATA/ICAO Special Provision A67
- Not restricted for surface transport – Classified as non-hazardous material as related to DOT-CFR Title 49 parts 171-189.
- Computer designed lead, low calcium alloy grid for minimal gassing and ease of recycling.
- Case and cover available in both standard and flame retardant polypropylene.
- Flame retardant polypropylene case and cover compliant with UL 1778 (optional).

12 Volts – 91 Watts Per Cell For 15 Minutes to 1.67 Volts per Cell

Constant Power Discharge Ratings – Watts Per Cell @ 77°F (25°C)

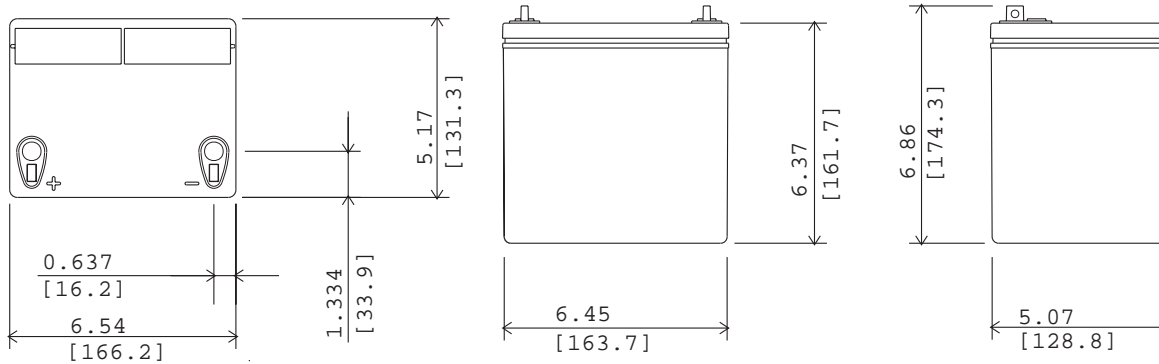
Operating Time to End Point Voltage (in minutes)

End Point Volts/Cell	5	10	15	20	30	40	45	50	60	90
1.67	172	117	91	75	57	47	43	40	35	24

C&D Technologies, Inc.
DYNASTY Division
900 East Keefe Avenue
Milwaukee, WI 53212
Phone: 800-396-2789
Fax: 414-961-6506



UPS12-100



UPS12-100 – Specifications

*All dimensions in inches and (millimeters). All dimensions are for reference only. Contact a C&D Representative for complete dimensional information.

Cells Per Unit	Voltage Per Unit	Weight	Electrolyte	Maximum Discharge Current	Short Circuit Current	Ohms Imped. 60 Hz (Ω)
6	12.84	21 lbs. 10 kg	Absorbed H ₂ SO ₄ SG = 1.300	500 Amps	1750 Amps @ 0.1 sec.	0.0060 Ohms
Capacity		91.0 watts per cell at the 15 minute rate to 1.67 volts per cell at 77° F (25° C). 26.0 Ah @ 20 hr. rate to 1.75 volts per cell @ 77° F (25° C) 23.6 Ah @ 10 hr. rate to 1.80 volts per cell @ 20° C (68° F)				
Operating Temperature Range		Discharge; -40° F (-40° C) to +160° F (71° C), Charge; -10° F (-23° C) to +140° F (60° C) (with temperature compensation)				
Nominal Operating Temperature Range		+74° F (23° C) to +80° F (27° C)				
Float Charging Voltage		13.5 to 13.8 VDC/unit Average at 77° F (25° C).				
Recommended Maximum Charging Current Limit		C/5 amperes (5.2 amperes @ 100% depth of discharge) @ 20 hour rate				
Equalization and Cycle Service Charging Voltage		14.4 to 14.8 VDC/unit Average at 77° F (25° C).				
Maximum AC Ripple (Charger)		0.5% RMS or 1.5% P-P of float charge voltage recommended for best results. Maximum voltage allowed = 1.4% RMS (4% P-P) Maximum current allowed = 1.3 amperes RMS (C/20)				
Self Discharge		Dynasty UPS batteries may be stored for up to 6 months at 77° F (25° C) and then a freshening charge is required. For higher temperatures the time interval will be shorter.				
Accessories		Inter unit connectors, racks and cabinet systems are available.				
Terminal		Flag terminal with 0.22" clearance hole to accept 0.1875" bolt.				
Terminal Hardware Initial Torque		40 in.-lbs. (4.5 N-m).				
Terminal Hardware Annual Retorque		32 in.-lbs. (3.48 N-m).				

Constant Power Discharge Ratings – Watts Per Cell @ 77°F (25°C)

Operating Time to End Point Voltage (in minutes)

End Point Volts/Cell	5	10	15	20	30	40	45	50	60	90
1.75	158	111	87	73	56	46	42	39	34	24
1.70	168	115	90	75	57	47	43	40	35	24
1.67	172	117	91	75	57	47	43	40	35	24
1.65	174	118	91	76	57	47	43	40	35	25
1.60	179	119	92	76	58	47	43	40	35	25

Constant Current Discharge Ratings – Amperes @ 77°F (25°C)

Operating Time to End Point Voltage (in hours)

End Point Volts/Cell	.083	.25	.50	.75	1	2	3	5	8	10	12	20	24	72	100
1.90	51.1	33.0	22.4	18.2	14.0	8.30	6.05	3.94	2.62	2.14	1.82	1.14	0.96	0.34	0.24
1.85	62.8	38.4	25.3	20.5	15.6	9.10	6.60	4.29	2.85	2.33	1.98	1.24	1.05	0.37	0.26
1.80	72.3	42.1	27.1	21.8	16.4	9.50	6.86	4.45	2.95	2.41	2.05	1.28	1.08	0.38	0.27
1.75	80.0	44.3	28.1	22.5	16.9	9.75	7.00	4.53	3.00	2.45	2.08	1.30	1.10	0.39	0.28

Note: Batteries to be mounted with 0.5 in (1.25 cm) spacing minimum and free air ventilation. Specifications subject to change without notification.